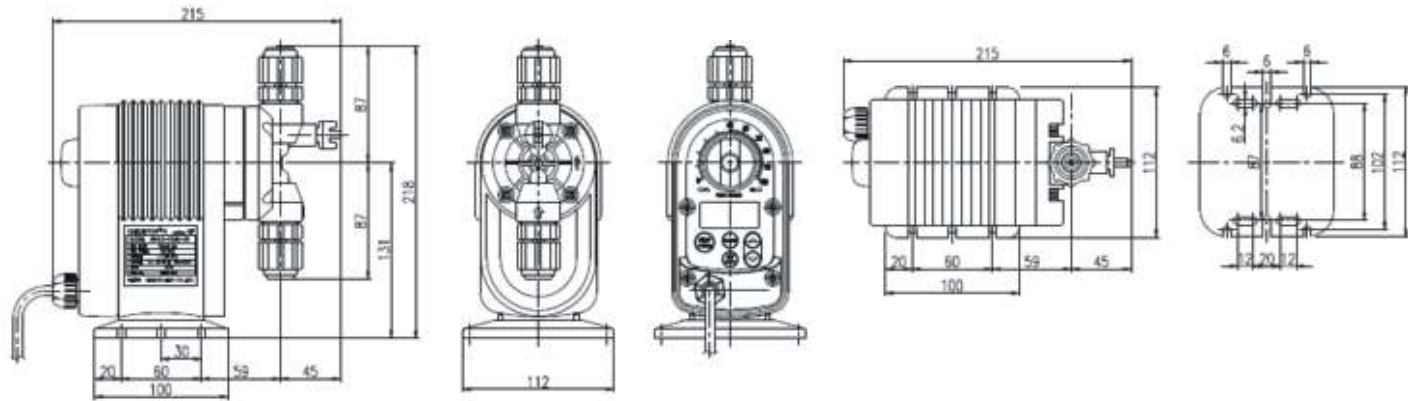


CHEMIPON[®]N Solenoid Driven Metering Pump - Series NFH



Dimensions

Unit:mm



Accessories

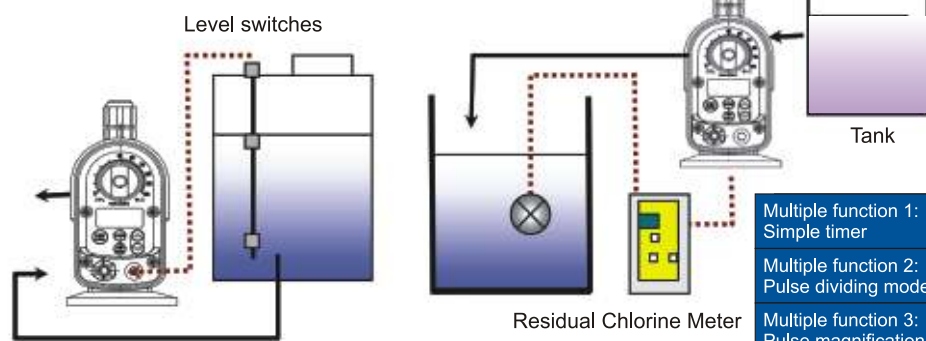


	Name	Model	Applicable Pump
Standard Accessories	Injector	D0AC700	NFH 100/200
	Filter	D0FI064	NFH 100/200
	Suction/Discharge Hose	Ø 6 X Ø 11	3 Meter
	Air Vent Hose	Ø 4 X Ø 6	1 Meter
Optional Accessories	Anti siphon check valve	B 55 PV	NFH 100/200
	Foot Valve	B 63 PV	NFH 100/200

Multiple Function Type

■ Application1

■ Application2



Multiple function 1: Simple timer	ON/OFF intermittent setting range 1-9999 seconds 1-9999 minutes, 10-9999 minutes
Multiple function 2: Pulse dividing mode	No-voltage 1/9999-1 pulse: 1 stroke
Multiple function 3: Pulse magnification mode	No-voltage 1 pulse: 1-9999 stroke
Multiple function 4: External contact input	Up to two of no-voltage contacts can be input

※Please contact us for the details.

SHUN EIKO CO., LTD.

NO.11, KUNG ERH RD., LINKOU DIST,
NEW TAIPEI CITY, TAIWAN
TEL: 886-2-26015831
FAX: 886-2-86011017

2018.04 NFH ENG03

CHEMIPON[®]N

Series NFH

Solenoid Driven Metering Pump



www.shuneiko.com

CHEMIPON[®]N Solenoid Driven Metering Pump - Series NFH

The series NFH is a solenoid driven metering with the concept of the user-friendly design. Our technology makes the pump with reliable feeding performance. The feeding capacity can be adjusted via stroke length and stroke frequency to obtain a satisfied turndown ratio.

■ The wide voltage circuit design.
1Ø100V~240V+10%
It makes the pump can be used everywhere.

■ The water / dust proof design
Equivalent to protection IP65

■ Safety device for solenoid.
The solenoid with thermostat always makes the pump running safely.

■ Easy to read the LCD display
The LCD display shows the operation status clearly.

Manual air vent valve

At the time of start-up, the retained gas in the pump head or suction hose can be expelled by rotating the air vent valve.



PVDF body



360° Rotation

The pump can be rotated on the base through 360°



Stroke length adjusting dial

Stroke length of the pump can be adjusted in a range from 50 to 100% by turning the dial.



Touch keys



- Stop / Start key
- Mode setting key
- LCD indication selected key

LCD display

Flow rate indication (ml/min)
(Use this as a guide, as actual flow rate is not measured.)



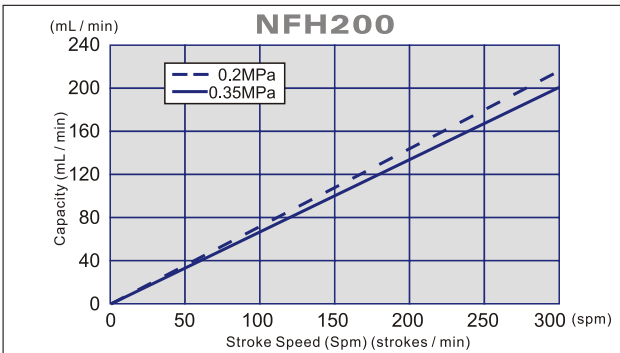
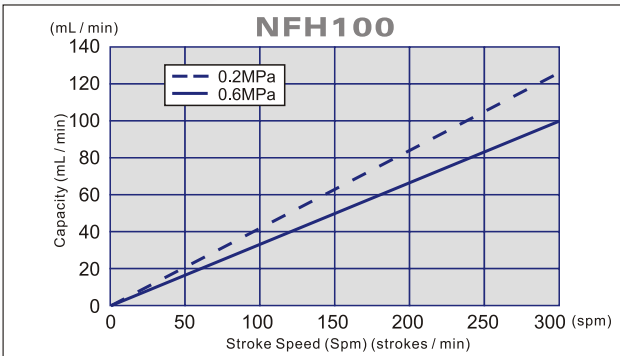
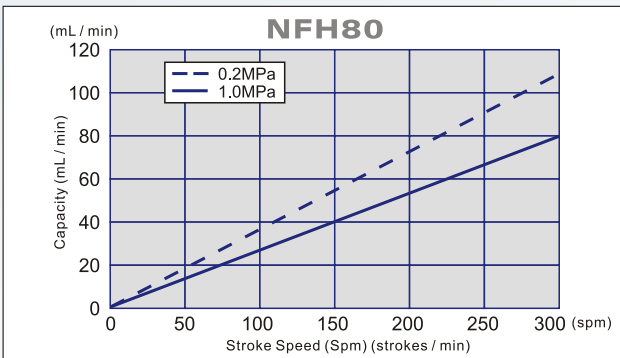
Stroke number indication (1-300spm)



% of Stroke number indication (%)



Performance Curves



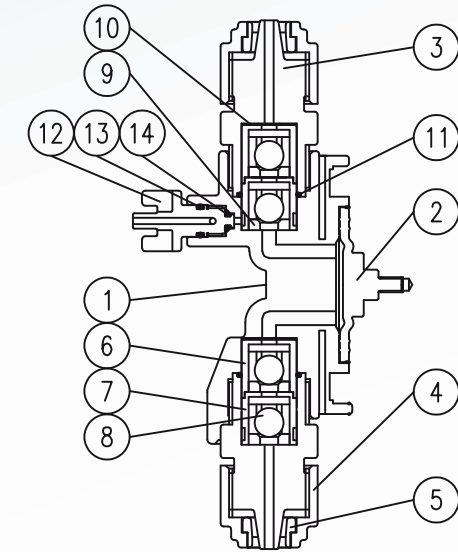
※Performance curves may vary by location and conditions. The flow rate should be adjusted according to flow rate measurements based on use conditions.

Specifications

Pump Model	NFH80	NFH100	NFH200
Max. discharge capacity (@max.pressure)	80mL/min	100mL/min	200mL/min
Max. discharge pressure	1.0 MPa	0.6 MPa	0.35 MPa
Connecting hose for suction and discharge	PVC braided hose Ø6xØ11		
Connecting hose for air vent	PVC hose Ø4xØ6		
Number of strokes (digital display)	1 to 300spm		
Stroke length adjustment range	50 to 100%		
Power source	AC100~240V AC±10% 50/60Hz		
Max. Current at ON	3.7 A		
Average power consumption	22 W		
Protecting type	Equivalent to IP65		
Discharge accuracy	Within ±2% (@max.discharge)		

※Install and anti-siphone check valve to observe stable flow from the pump.

Liquid Ends



NO	Component name	Material	Q'ty
14	O-ring	FPM / EPDM	1
13	O-ring	FPM / EPDM	1
12	Air vent valve	PVDF	1
11	O-ring	FPM / EPDM	1
10	Gasket	PTFE	2
9	Valve seat	FPM / EPDM	4
8	Ball valve	CE	4
7	Ball guide B	PVDF	2
6	Ball guide A	PVDF	2
5	Union nut collar	PVDF	2
4	Union nut	PVDF	2
3	Hose joint	PVDF	2
2	Diaphragm	PTFE / CR	1
1	Diaphragm head	PVDF	1

Model Code

NF	H	100	D	C	F	M	8
1	2	3	4	5	6	7	8
1 Pump Series NF : NF	2 Solenoid H : 22W	3 Pump Size 80 : 80ml/min 100 : 100ml/min 200 : 200ml/min	4 Diaphragm Head Material D : PVDF M : SUS316 T : PTFE	5 Ball Valve C : Ceramic M : SUS316	6 Material of Valve Seat and O-ring E : EPDM F : FPM T : PTFE	7 Circuit M : Standard P : Multi-fuction Pulse input control A : Multi-fuction Analog input control	8 Special Indication None : Standard SP : Special Specification