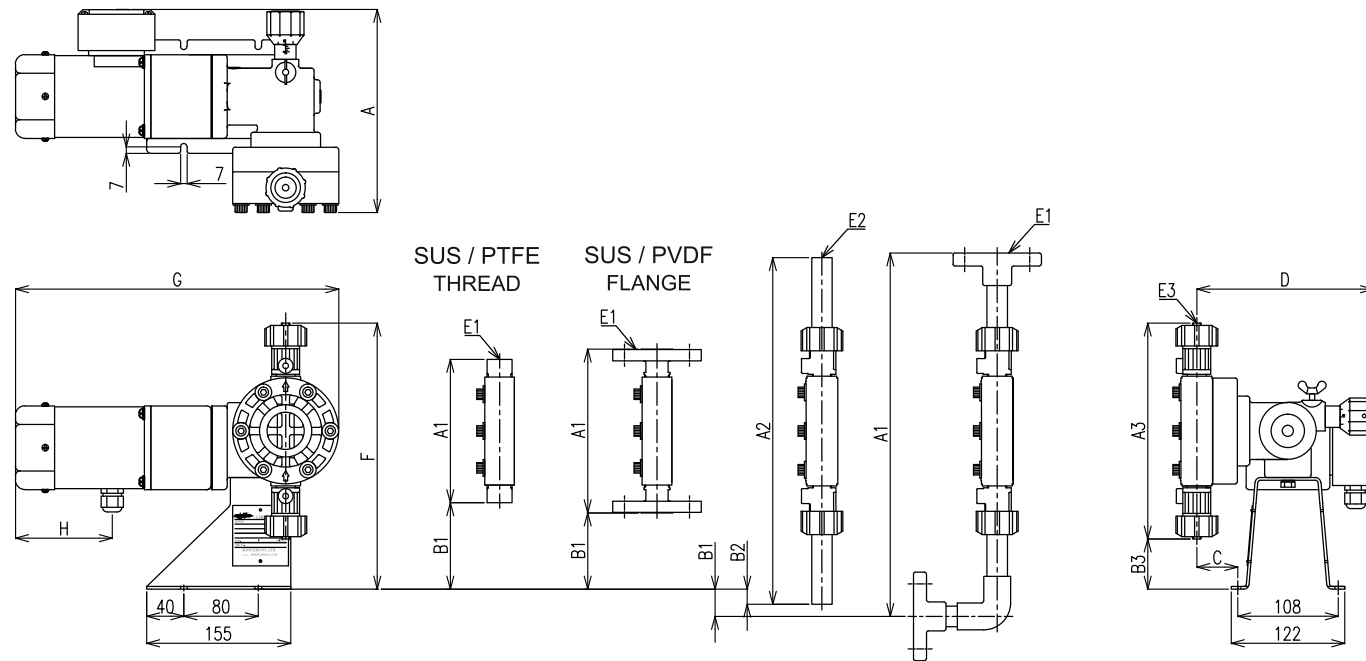


DIMENSIONS



MODE	MATERIAL	A	A1	A2	A3	B1	B2	B3	C	D	E1	E2	E3	F	G	H
BX01.03.05	PVC	232	364	343	166	16	2	87	37	183	15A JIS 10K FLANGE	VP16 UNION	Ø6 IDXØ110D HOSE	253	*309	77
	SUS / PVDF	232	156	—	—	92	—	—			PT 1/4"	248	*308			
	SUS / PTFE	207	106	—	—	117	—	—			223	*300				
BX10.20.30	PVC	232	376	355	178	22	8	81	37	183	15A JIS 10K FLANGE	VP16 UNION	Ø6 IDXØ110D HOSE	259	289	77
	SUS / PVDF	232	176	—	—	82	—	—			PT 1/4"	258	293			
	SUS / PTFE	207	126	—	—	107	—	—			233	233				
BX50	PVC	232	376	355	214	22	8	63	37	183	15A JIS 10K FLANGE	VP16 UNION	Ø9 IDXØ150D HOSE	277	289	77
	SUS / PVDF	233	156	—	—	92	—	—			38	184	248	293		
	SUS / PTFE	209 217	134	—	—	103	—	—			38 42	184 188	237	237		
BX70.100	PVC	238	391	373	232	29	16	54	44	190	15A JIS 10K FLANGE	VP16 UNION	Ø9 IDXØ150D HOSE	286	348	104
	SUS / PVDF	239	176	—	—	82	—	—			43	189	258	351		
	SUS / PTFE	217	154	—	—	93	—	—			247	247				

※BX01 Unit:mm

SHUN EIKO CO., LTD.

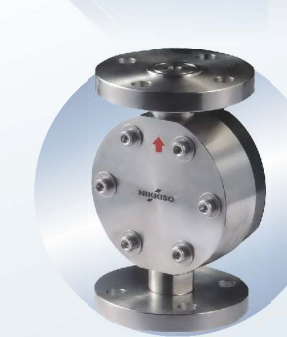
NO.11, KUNG ERH RD., LINKOU DIST,
NEW TAIPEI CITY, TAIWAN
TEL: 886-2-26015831
FAX: 886-2-86011017

CHEMIPON® B Series BX

Diaphragm type metering pump



PTFE



SUS



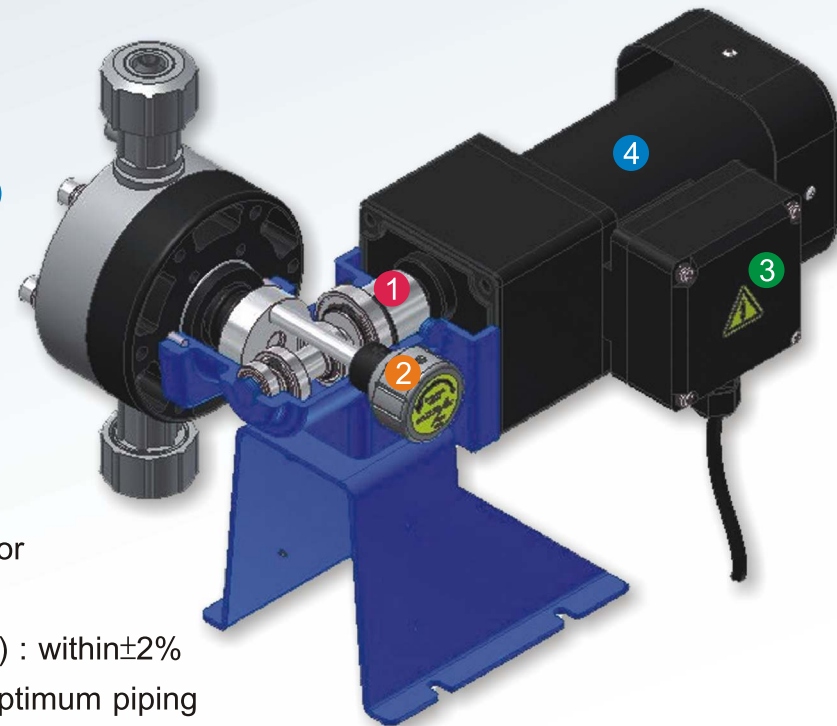
PVC

NIKKISO

Maximum discharge capacity reaches more than 2 L/min!!!!!!

NIKKISO EIKO developed series BX with the experienced technologies and the customer's advantages.

- ① Double cam design, stable operation.
- ② Manual control is easy.
- ③ Cover with wire box.
- ④ Motor level upgrade to F (IP55)



FEATURE

- ★ Compact, easy to install
- ★ Various materials for liquid ends, selection of the suitable materials or the applied liquids is possible
- ★ Discharge accuracy (Repeatability) : within±2%
- ★ Various types of connections for optimum piping
- ★ Easy maintenance

IDENTIFICATION

BX	10	-	P	C	F	-	H	110	SP
①	②	-	③	④	⑤	-	⑥	⑦	⑧

- | | | |
|-----------------|---|---|
| ① Series name | | ⑦ Power |
| ② Type No . | | 110: 1Ø 100V~110V (50/60Hz) |
| ③ Pump head | P : PVC S : SUS304 M : SUS316
D : PVDF T : PTFE | 120: 1Ø 200V~240V (50/60Hz) |
| ④ Ball valve | C : Ceramic S : SUS304 M : SUS316 | 320: 3Ø 200V~240V (50/60Hz) |
| ⑤ O-ring/Gasket | E : EPDM F : FPM T : PTFE | 338: 3Ø 380V~415V (50/60Hz) |
| ⑥ Connection | F : Flange H : Hose
K : Thread U : Union | 344: 3Ø 440V~480V (50/60Hz) |
| | | ⑧ Special design |
| | | K : For high viscosity liquid (Polymer) |

BX SPECIFICATION

Model	Diaphragm Dia. (mm)	Stroke length (mm)	Stroke speed (SPM)		Speed ratio	Discharge capacity mL/min (0 MPa)		Max. Dis. Pressure (MPa)	Motor output (W)	Standard pipe (PVC)
			50Hz	60Hz		50Hz	60Hz			
BX01	φ42	2	16	20	1/90	14	16	1	40	Hose type φ6 x φ11
BX03			75	90	1/20	77	92			
BX05			120	144	1/12.5	120	145			
BX10	φ65	4	100	120	1/15	320	385	0.5	90	Hose type φ9 x φ15
BX20			75	90	1/20	430	530			
BX30			120	144	1/12.5	730	885			
BX50			166	200	1/9	1025	1215			
BX70	φ84	8	75	90	1/20	1475	1815	0.5	90	Hose type φ9 x φ15
BX100			120	144	1/12.5	2355	2845			

- Test condition: Normal temperature water. (Self-priming 1M)
- Anti siphon check valve can maintain discharge capacity stably.
- Discharge performance might change in different condition.

MATERIALS

Diaphragm Head	Diaphragm	Ball Valve	Valve Seat	Joint	Applied chemicals
PVC	PTFE/EPDM	CERAMIC	FPM/EPDM PVC	PVC	Sulfuric acid, Hydrochloric acid, Sodium hypochlorite, PAC, Urea Phosphoric acid
PVC		SUS304	SUS304	PVC	Active carbon, Sodium hydroxide, Flocculant, Lime.
SUS304		SUS304	SUS304	SUS304	Solvents, Alcohol

BX ACCESSORIES

	Name	Model	Applied pump model
Standard accessories	Anti-siphon check valve	B55PV	BX01~BX30
		B73PV	BX50~BX100
Optional accessories	Foot valve	B63PV	BX01~BX30
		B65PV	BX50~BX100
	Filter	B64PV	BX01~BX30
		B66PV	BX50~BX100

