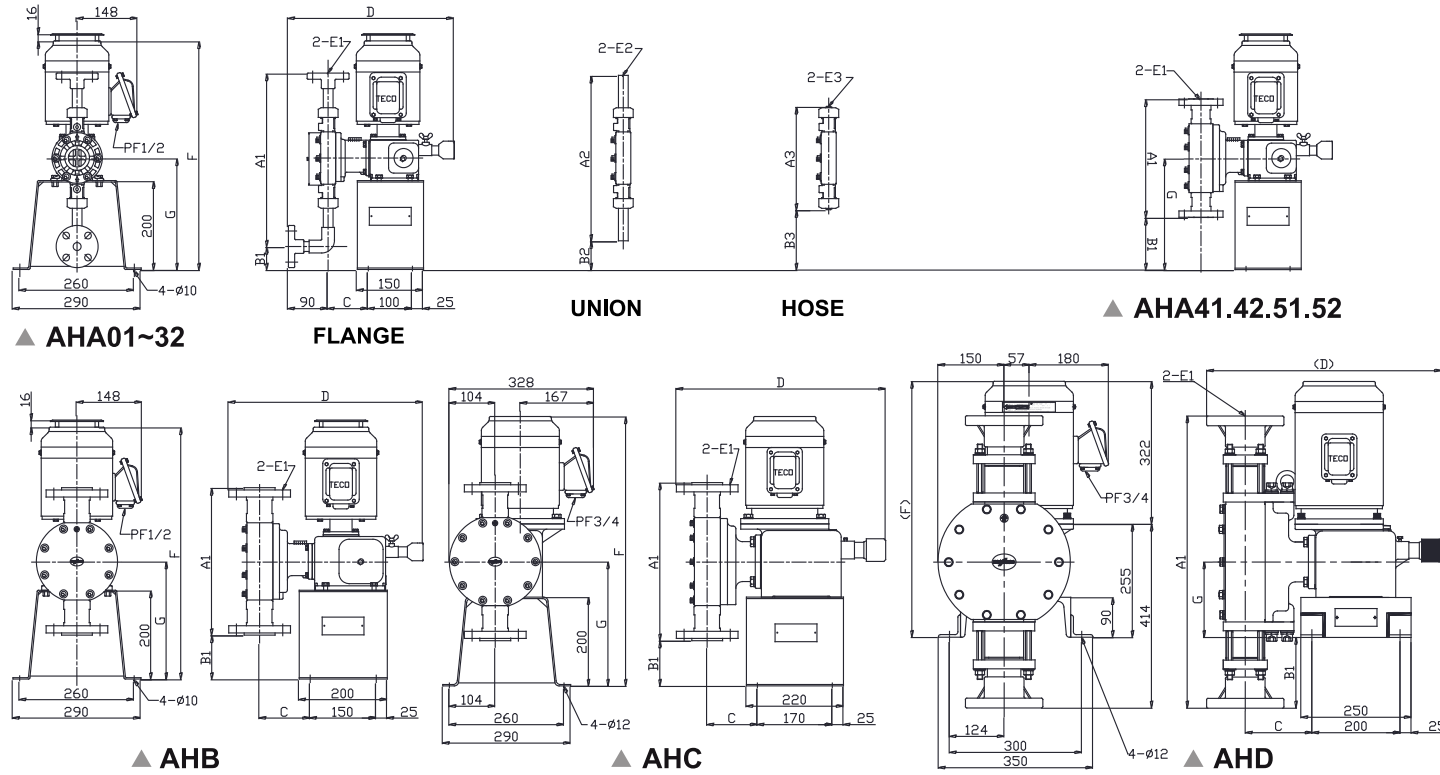


ADONY® Series AH

DIAPHRAGM TYPE METERING PUMP

Safe. Stable. Specific



MODEL	A1	A2	A3	B1	B2	B3	C	D	E1	E2	E3	F	G	
AHA	01,11,12	361	343	166	67	80	168	84	367	15A JIS 10K Flange	VP16 Union	∅6IDx∅11OD Hose	515	251
					173									
	21,22	373	178	61	74	162	85	325						
	31,32	391	373	233	52	65	135	92	377					
		176			165				91					
41,42	267	262	118	103	102	407	20A JIS 10K Flange	349						
	262			120				96	342					
51,52	286	110	436	111	110	436	40A JIS 10K Flange	369						
				370				112	437					
AHB	41,42	267	262	132	134	95	400	20A JIS 10K Flange	115	441	568	265		
													51,52	332
	61,62	356	87	112	437									
						71,72	448	41	139	472	50A JIS 10K Flange			
AHC	51,52	332	114	120	473							40A JIS 10K Flange	607	280
						61,62	356	102	115	468				
	71,72	448	56	149	511						50A JIS 10K Flange			
						AHD	81,82	658	159	151		533	65A JIS 10K Flange	VP65

AHA01~32
Upper section of A1.B1, and A2.A3.B1.B2.E dimensions are in case of PVC. Under section of A1.B1 dimensions are in case of Stainless Steel. The shape is same as AHA41.42.

AHA41~AHC62
Upper section of C.D dimensions are in case of PVC, and dimension of under section are in case of Stainless Steel.

AHC71~AHD82
PVC and Stainless Steel have the same dimension.

SHUN EIKO CO., LTD.

NO.11, KUNG ERH RD., LINKOU DIST,
NEW TAIPEI CITY, TAIWAN
TEL: 886-2-26015831
FAX: 886-2-86011017



NIKKISO

Accurate Adjustable Capacity / Handling Most of Chemicals

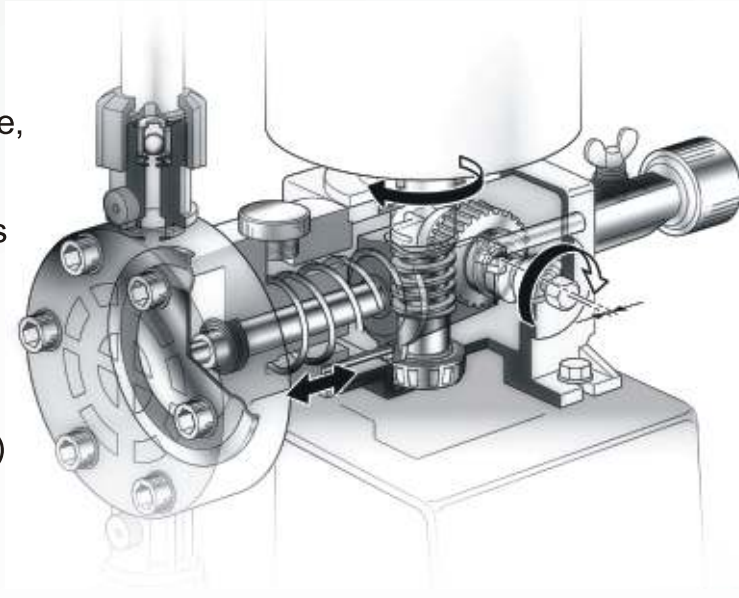
This pump is designed and manufactured to be durable for handling most of chemicals in Chemical plant, Water supply, Sewage system, Disposal treatment, Plant drainage system etc.

Maximum discharging capacity reaches to 54L/min !!!

Series AH - SPECIFICATION

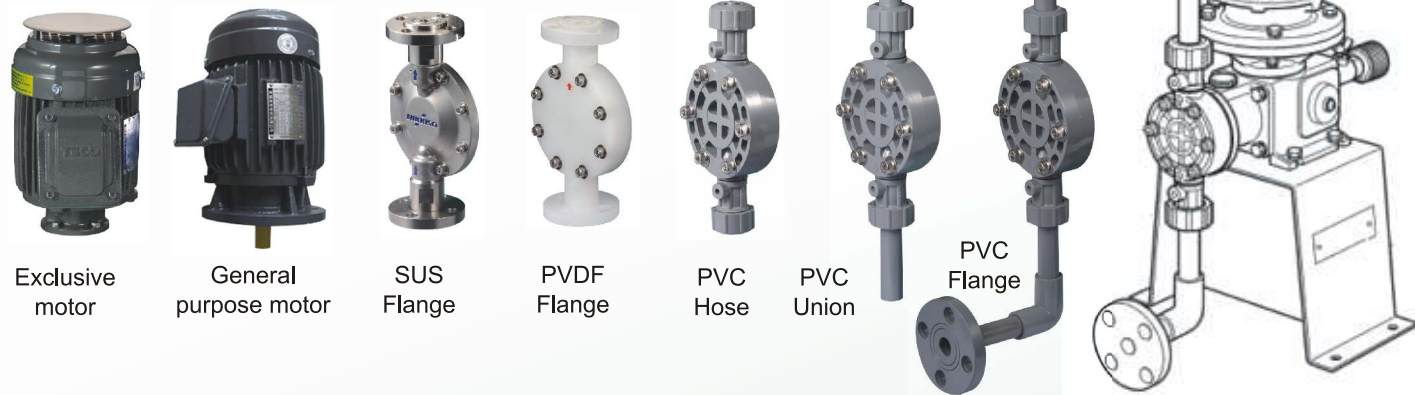
Series AH - CHARACTERISTIC

- ★ High discharge accuracy.
- ★ Various connection types available: Flange, union, hose. (AHA01 to 32: PVC)
- ★ PVC, SUS304, SUS316 diaphragm heads available. ※PVDF material can only be produced in AHA01-42
- ★ Motors: S. F. :1.15 F class, IP55 Outdoor services. (AHA & AHB standard type only)



MODEL	Diaphragm Dia. (mm)	Stroke Length (mm)	Stroke Speed (spm)		Max. Capacity(L/min)		Max. Dis. Pressure (MPa)	Motor Output (Kw)	Connection		
			50Hz	60Hz	50Hz	60Hz			Flange	Union	Hose
AHA	01	Ø42	2	48	58	0.035	0.042	0.18 or 0.2	JIS 10K 15A	VP16	Ø6 x Ø11
	11			48	58	0.07	0.084				
	12			96	116	0.14	0.17				
	21	Ø65	4	48	58	0.23	0.28				
	22			96	116	0.46	0.56				
	31			Ø84	8	48	58				
	32	96	116			1.8	2.2				
	41	Ø120	10			48	58		2.3	2.8	
	42			96	116	4.6	5.6				
51	Ø144			10	48	58	3.3	4.0			
52		96	116		6.6	8.0					
AHB		41	Ø120		12	48	58	2.8	3.3	0.37 or 0.4	JIS 10K 20A
	42	96		116		5.6	6.6				
	51	Ø144	14	48	58	5.0	6.0				
	52			96	116	10.0	12.0				
	61			Ø170	14	48	58	7.0	8.4		
	62	96	116			14.0	16.8				
	71	Ø214	14			48	58	10.85	13.02		
72	96			116	21.7	26.04					
AHC	51	Ø144	14	48	58	5.0	6.0	0.75 or 1.5	JIS 10K 40A		
	52			96	116	10.0	12.0				
	61	Ø170	18	48	58	9.0	10.8				
	62			96	116	18.0	21.6				
	71			Ø210	20	48	58		15.5		18.6
72	96	116	31.0			37.2					
AHD	81	Ø234	20	48	58	22.5	27.0	1.5	JIS 10K 65A	VP65	
	82			96	116	45.0	54.0				

Series AH - PUMP HEAD



Model Numbering System

AH	A	3	2	P	C	E	F	N	2	E	SP
①	②	③	④	⑤	⑥	⑦	⑧	⑨	⑩	⑪	⑫
Pump series	No. of stroke Symbols spm	Pump head Symbols Material		O ring/Gasket Symbols Material		Motor type Symbols				Specifications Symbols	
	1 48/58 2 96/116	P PVC S SUS304 M SUS316 D PVDF T PTFE		E EPDM※※ F FPM※※ T PTFE		N Special outdoor use (for AHA,AHB) IEC D type flange outdoor use for AHC W IEC D type flange outdoor use (for AH & AHB) V Motor for inverter use E Exe II T3 D Exd II BT4 G Exd II BT4 for inverter use				SP Special require Standard	
Model Symbols Motor output	Diaphragm dia. Symbols Diameter(mm)		Ball valve Symbols Material		Joint type Symbols Type		No. of pump Symbols		Special function Symbols		
A 0.18Kw (0.37Kw)※ B 0.37Kw (0.75Kw)※ C 0.75Kw (1.5Kw)※ D 1.5Kw	0 42(2) 1 42(4) 2 65 3 84 4 120 5 144 6 170 7 210 8 234		C Ceramic S SUS304 M SUS316		F Flange U PVC Union H Hose		2 Duplex		E with electric serve K High viscosity specifications Standard		

※When the AHA41&52 inverters are in use(0.37Kw)
When the AHB51&72 inverters are in use(0.75Kw)
When the AHC71&72 inverters are in use(1.5Kw)

※※Applicable when the diaphragm head for AHA01~32 is PVC